



## Request for Services

Dual Accessible Public Washroom

### Intent

To build a 2-room bathroom, using the pre-selected privy toilets. It should meet accessibility requirements and include solar-powered lighting. This project must be completed before December 31<sup>st</sup>, 2020.

### Requirements of the Build

This public washroom is required to:

- Be considered accessible, as defined by the Ontario Building Code
- Use the pre-selected privy toilet (attached in Appendix 1)
- Include solar lighting for both indoor and outdoor use, with motion sensors

The building must be either:

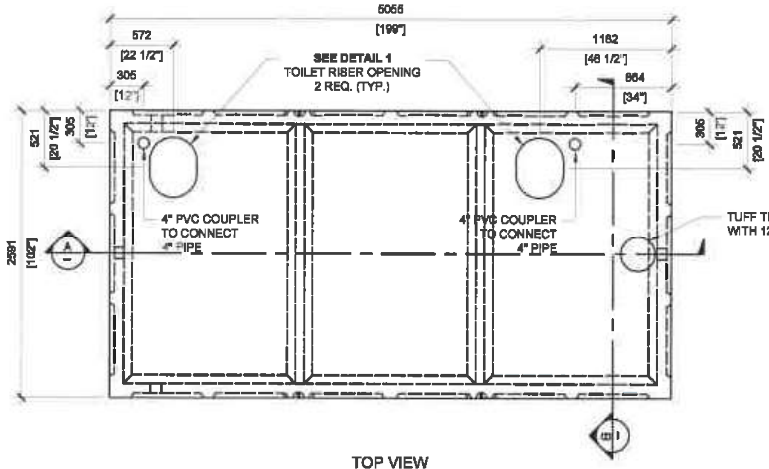
- wood construction;
- steel exterior siding;
- wood-lined interior walls.

OR

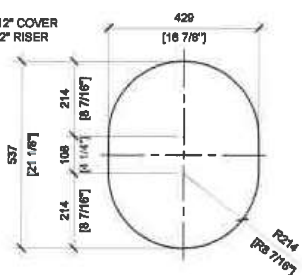
- concrete block construction;
- painted exterior;
- painted interior.

### Contact

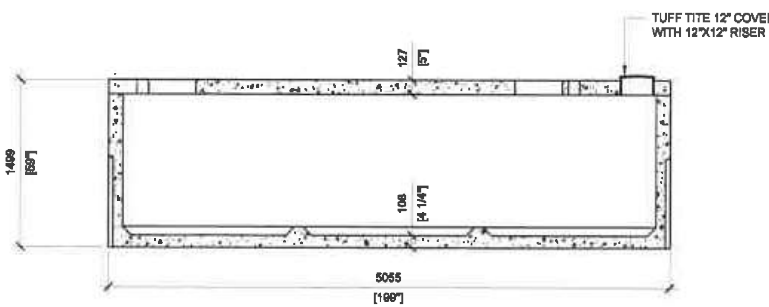
For further details or questions please contact Barry Wannamaker at (613) 337-5731.



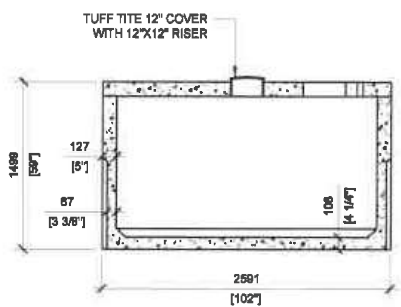
TOP VIEW  
SCALE: 1/50



DETAIL 1  
TOILET RISER OPENING  
(TYP.)  
SCALE: 1/16



SECTION A  
SCALE: 1/50



SECTION B  
SCALE: 1/50

- GENERAL NOTES:**
1. UNITS ARE SEALED WITH BUTYL TAPE AT THE JOINTS
  2. DELIVERY IS MADE BY CRANE-EQUIPPED TRUCKS
  3. EXCAVATION MUST BE READY, SAFE AND ACCESSIBLE FOR UNLOADING FROM THE REAR OF THE TRUCK
  4. MIN OVERHEAD CLEARANCE OF 18FT IS REQUIRED
  5. ALL UNITS MUST BE HANDLED WITH PROPER LIFTING EQUIPMENT
  6. MAXIMUM BURIAL DEPTH = 1 METRE IN FIRM SOIL AWAY FROM ANY VEHICULAR TRAFFIC



MANUFACTURED:  
BROOKLIN, ON  
1-800-855-3430

CONCRETE: 35MPa/5000PSI  
AIR ENTRAINMENT: 6-8%  
MEETS CAN/CSA-B88-00  
REINFORCEMENT: STEEL TO CSA CAN  
A23.1 /A23.3 G30.18 Fy=400MPa

WEIGHT: 27,180lbs / 12,350kg

DRAWN BY:  
S.RIMLAND

DATE:  
JAN/2019

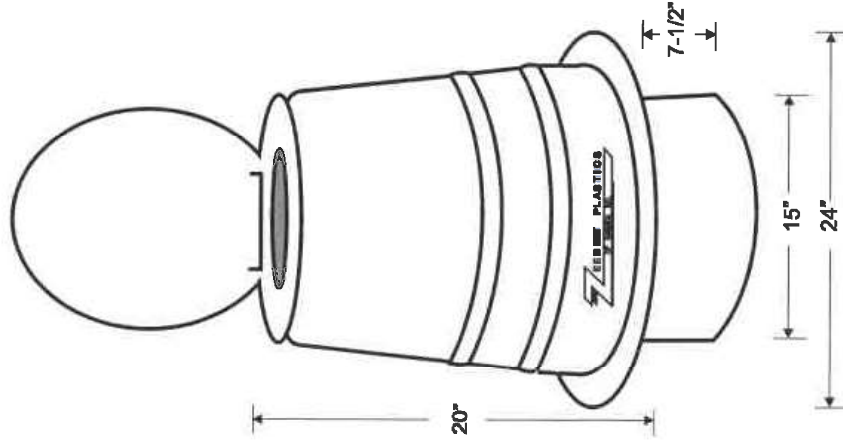
**PRIVY 2500** (WOOD STRUCTURE)

2,500 IMPERIAL GALLON / 11,365 LITRES

# PRIVY TOILET



PHOTO: Privy Toilet In Jasper National Park



- OUTHOUSE REPLACEMENT TOILET
- ONE PIECE HEAVY DUTY CONSTRUCTION
- PORTABLE & LIGHT WEIGHT
- U.V. INHIBITORS PROVIDE PROTECTION AGAINST SUNLIGHT
- RODENT RESISTANT
- HYGENIC
- FLANGED BASE FOR EASY INSTALLATION
- WHEELCHAIR ACCESSIBLE
- 2 YEAR WARRANTY

## ZEEBEST PLASTICS

35 Calder Place, St. Albert, AB T8N 5A6  
Ph: 780.447.5222 Fax: 780.455.9448  
www.zeebest.com sales@zeebest.com